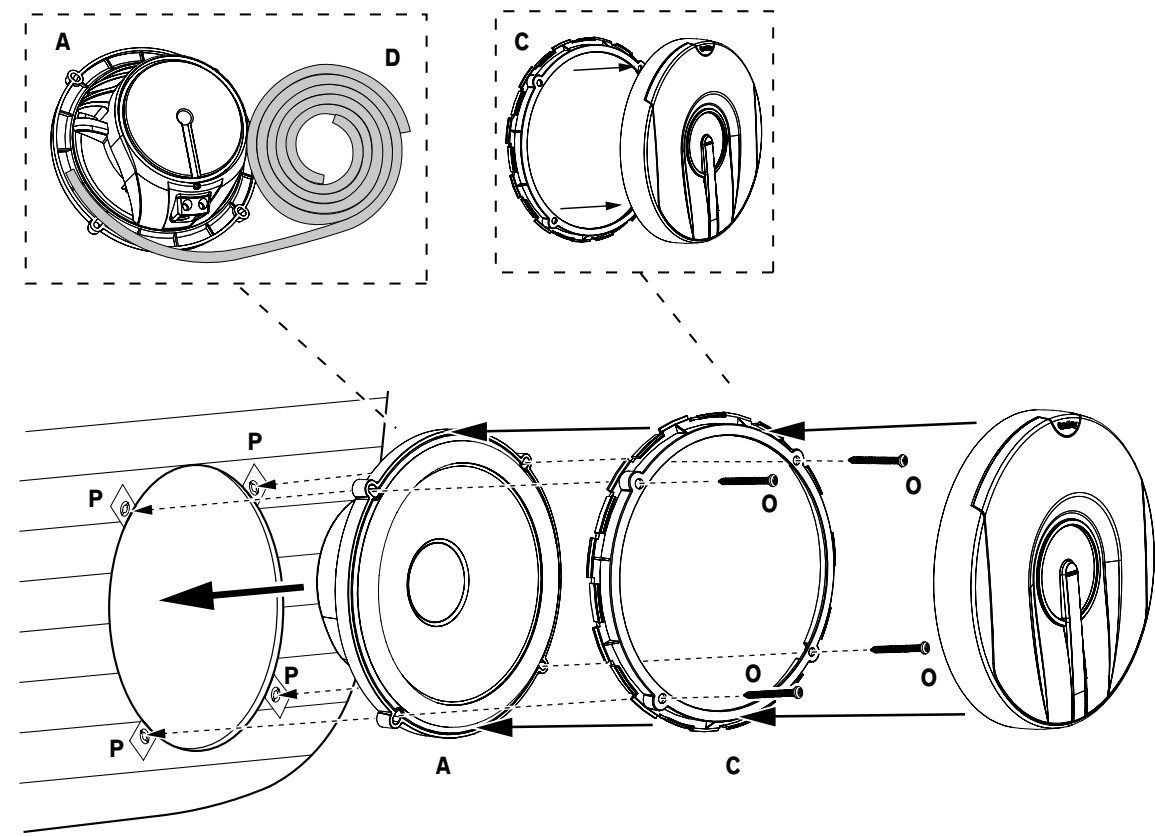




# KAPPA 50.11cs/60.11cs

## 50.11/60.11



## 60.11

